

RESULTS OF SURVEY

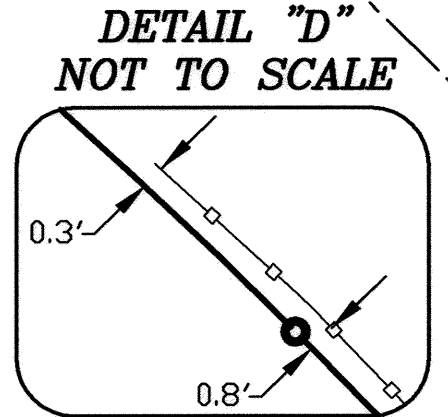
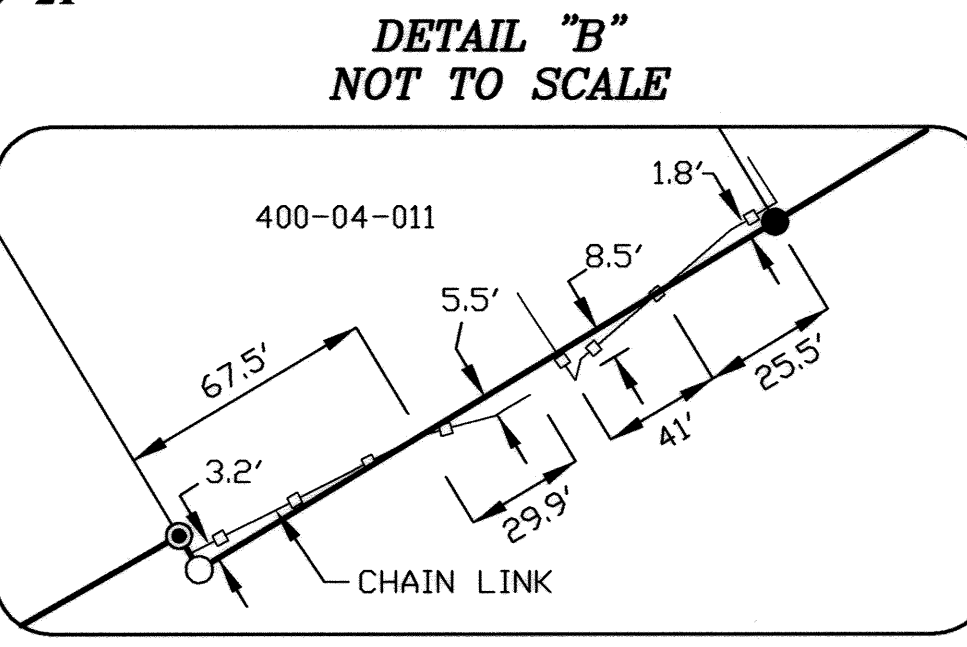
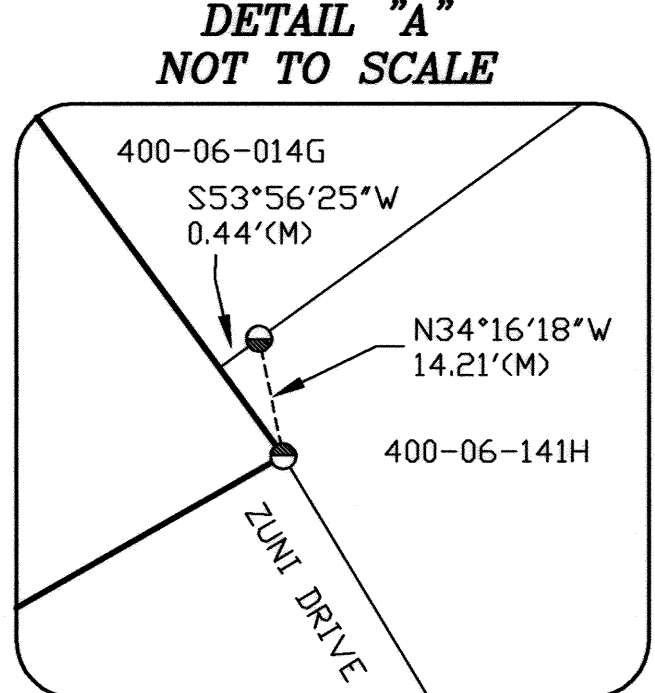
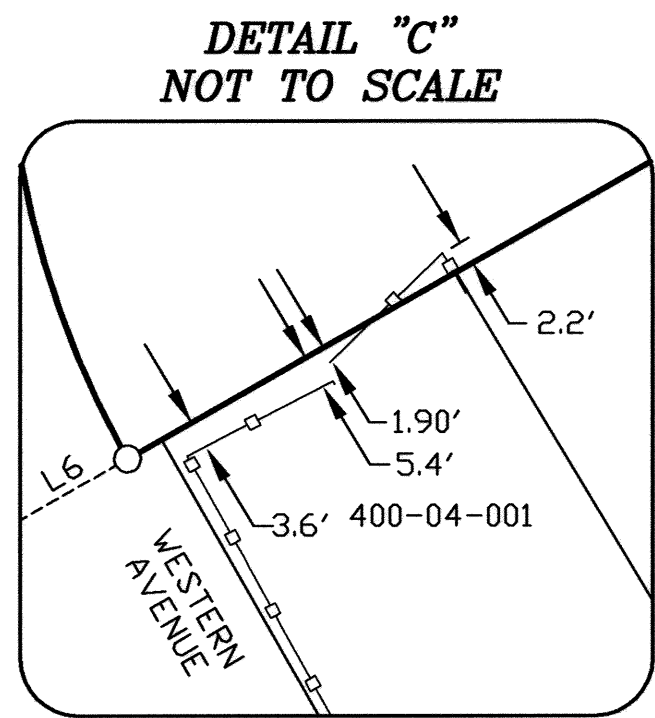
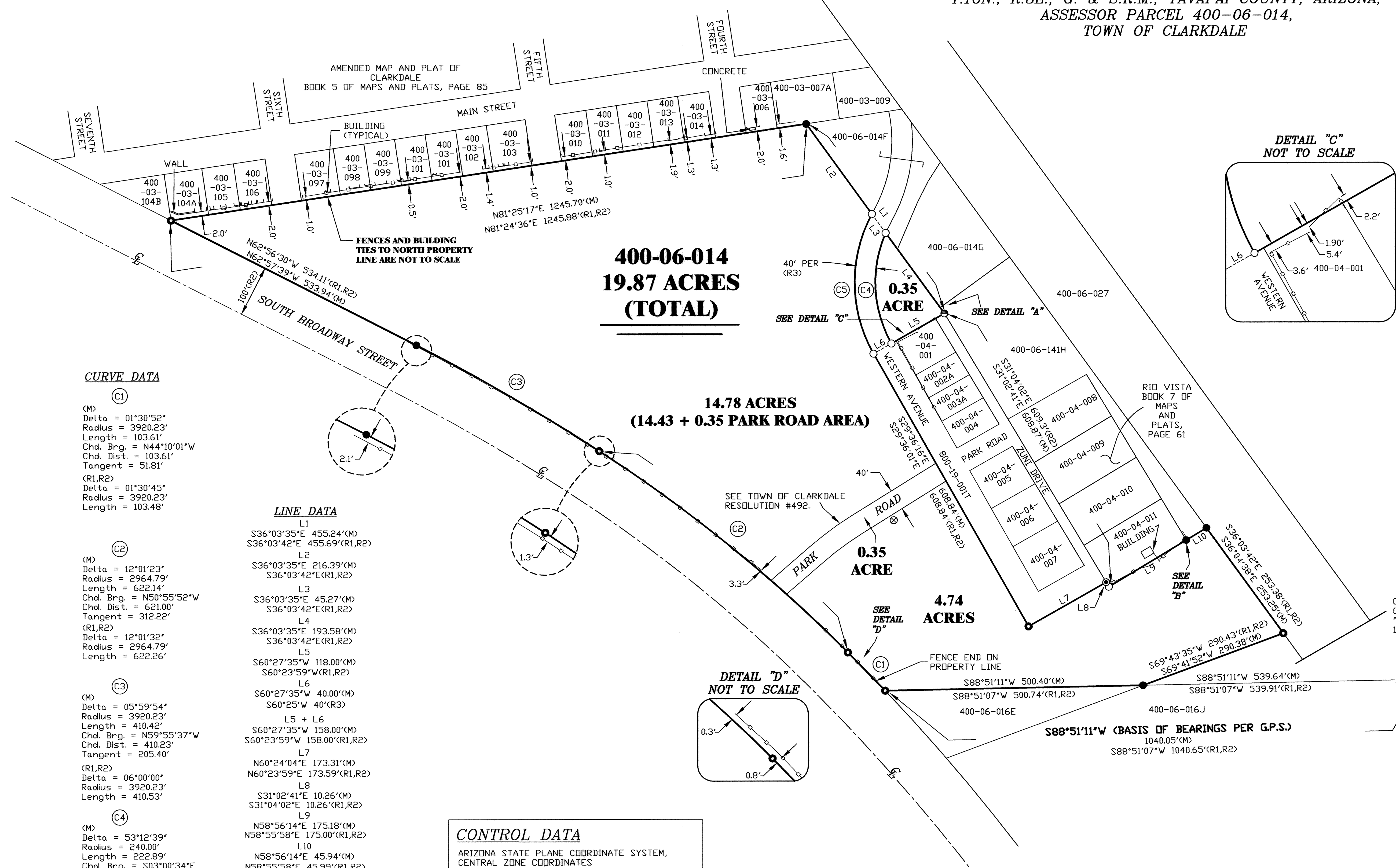
LOCATED IN THE NORTHEAST 1/4 OF SECTION 20,
T.16N., R.3E., G. & S.R.M., YAVAPAI COUNTY, ARIZONA,
ASSESSOR PARCEL 400-06-014,
TOWN OF CLARKDALE

LEGEND

- INDICATES FOUND MONUMENT AS NOTED
- INDICATES FOUND 1/2" REBAR AND PLASTIC CAP STAMPED "LS 4491"
- INDICATES FOUND 1/2" REBAR WITH NO CAP OR TAG
- INDICATES FOUND 1/2" REBAR AND PLASTIC CAP STAMPED "VVS LS 31017"
- INDICATES FOUND 1/2" REBAR WITH OBLITERATED PLASTIC CAP
- INDICATES FOUND 1/2" AND PLASTIC CAP STAMPED "JJ&A LS 19853"
- INDICATES SET 5/8" REBAR AND CAP STAMPED "SEC INC LS 40829"
- ⊗ INDICATES SET 60D NAIL, SEE CONTROL DATA
- (M) INDICATES MEASURED DIMENSION
- (R1) INDICATES DIMENSIONS PER BOOK 4469 OF OFFICIAL RECORDS, PAGE 707
- (R2) INDICATES DIMENSIONS PER BOOK 5 OF LAND SURVEYS, PAGE 17
- (R3) INDICATES DIMENSIONS PER BOOK 7 OF MAPS AND PLATS, PAGE 61
- INDICATES WIRE FENCE

NOTES

1. A BRASS TAG STAMPED "SEC INC RLS 40829" HAS BEEN ATTACHED TO ALL FOUND MONUMENTS, ACCEPTED AS BEING ON SUBJECT PROPERTY LINES(S), THAT DID NOT HAVE AN IDENTIFYING CAP OR TAG.



CURVE DATA

- (C1)
Delta = 01°30'52"
Radius = 3920.23'
Length = 103.61'
Chd. Brg. = N44°10'01"W
Chd. Dist. = 103.61'
Tangent = 51.81'
(R1,R2)
Delta = 01°30'45"
Radius = 3920.23'
Length = 103.48'
- (C2)
Delta = 12°01'23"
Radius = 2964.79'
Length = 622.14'
Chd. Brg. = N50°55'52"W
Chd. Dist. = 621.00'
Tangent = 312.22'
(R1,R2)
Delta = 12°01'32"
Radius = 2964.79'
Length = 622.26'
- (C3)
Delta = 05°59'54"
Radius = 3920.23'
Length = 410.42'
Chd. Brg. = N59°55'37"W
Chd. Dist. = 410.23'
Tangent = 215.40'
(R1,R2)
Delta = 06°00'00"
Radius = 3920.23'
Length = 410.53'
- (C4)
Delta = 53°12'39"
Radius = 240.00'
Length = 222.89'
Chd. Brg. = S03°00'34"E
Chd. Dist. = 214.97'
Tangent = 120.21'
(R3)
Radius = 240'
- (C5)
Delta = 57°53'06"
Radius = 280.00'
Length = 282.88'
Chd. Brg. = S00°39'43"E
Chd. Dist. = 271.00'
Tangent = 154.84'
(R3)
Radius = 280'

LINE DATA

- L1
S36°03'35"E 455.24'(M)
S36°03'42"E 455.69'(R1,R2)
- L2
S36°03'35"E 216.39'(M)
S36°03'42"E(R1,R2)
- L3
S36°03'35"E 45.27'(M)
S36°03'42"E(R1,R2)
- L4
S36°03'35"E 193.58'(M)
S36°03'42"E(R1,R2)
- L5
S60°27'35"W 118.00'(M)
S60°23'59"W(R1,R2)
- L6
S60°27'35"W 40.00'(M)
S60°25'W 40'(R3)
- L5 + L6
S60°27'35"W 158.00'(M)
S60°23'59"W 158.00'(R1,R2)
- L7
N60°24'04"E 173.31'(M)
N60°23'59"E 173.59'(R1,R2)
- L8
S31°02'41"E 10.26'(M)
S31°04'02"E 10.26'(R1,R2)
- L9
N58°56'14"E 175.18'(M)
N58°55'58"E 175.00'(R1,R2)
- L10
N58°56'14"E 45.94'(M)
N58°55'58"E 45.99'(R1,R2)

CONTROL DATA

ARIZONA STATE PLANE COORDINATE SYSTEM,
CENTRAL ZONE COORDINATES
GRID NORTH: 1371586.4500 U.S. SURVEY FEET
GRID EAST: 660524.8400 U.S. SURVEY FEET

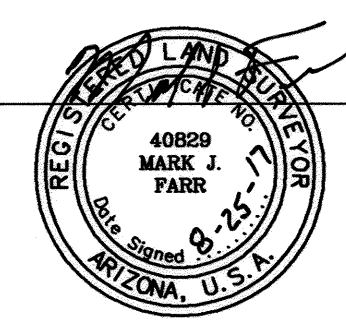
NAD 83:
LATITUDE: 34°46'11.72723"(N)
LONGITUDE: 112°02'53.20050"(W)

SOURCE DATA FOR THESE COORDINATES IS BASED ON OPUS (ONLINE POSITIONING USER SERVICE) CALCULATIONS WITH A SCALE FACTOR OF 0.99974196. RECEIVED FROM OPUS JULY 12, 2017.

ELEVATION: 3424.99'
[NAVD88 (Computed using GEOID12B)]

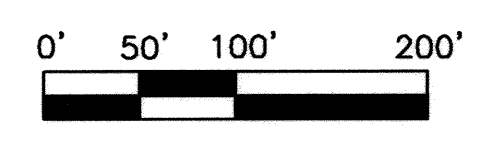
CERTIFICATION

I HEREBY CERTIFY THAT THE SURVEY SHOWN HEREON WAS DONE UNDER MY DIRECT SUPERVISION AND THE MEASUREMENTS AS SHOWN ARE TRUE AND CORRECT TO THE BEST OF MY KNOWLEDGE AND BELIEF.



MARK J. FARR
R.L.S. #40829

SCALE: 1" = 100'



REED		
RESULTS OF SURVEY		
SECTION 20		
T.16N., R.3E.		
DATE 08/25/17	DRAWN B.L.S.	SHEET 1 OF 1
SCALE 1" = 100'	CHECKED M.J.F.	17-0610CS ReedClarkdaleBroadwaySt-ROS.dwg

THIS PLAT DOES NOT SHOW LOCATIONS OF ALL EASEMENTS OR RIGHTS-OF-WAY THAT MAY EXIST ON OR AFFECT THE PROPERTY SHOWN HEREON. A TITLE SEARCH IS RECOMMENDED TO REVEAL THE LOCATIONS AND NATURE OF SAME.

DISCLAIMER: These plans/documents have been prepared using technical knowledge and skills that would be applied by other qualified registrants who practice the same profession in the same area and at the same time. Efforts have been made to be as accurate as possible. However, plans/documents could contain unintentional technical inaccuracies, typographical errors or omissions. Users of these plans/documents should understand that it is highly probable that errors and omissions will occur in any plan/document preparation process.

© 2017, SEC, INC., ALL Rights Reserved. This document is protected under the United States copyright Act. No part may be reproduced in any form or by any means or stored in a database or retrieval system, without the prior written permission of SEC, Inc.